

Art



MASSACHUSETTS BAY TRANSPORTATION AUTHORITY

BLUE HILL AVENUE COMMUTER RAIL STATION

FAIRMOUNT CORRIDOR IMPROVEMENT PROJECT



Massachusetts Bay
Transportation Authority

massDOT
Massachusetts Department of Transportation

AGENDA

INTEGRAL ART INFORMATIONAL SESSION

- INTRODUCTIONS
- MBTA INTEGRAL ART PROGRAM
- PORCELAIN ENAMEL PANEL OPPORTUNITIES
- BLUE HILL AVENUE STATION PROJECT
- Q&A

INTEGRATED ART



BLUE HILL AVENUE STATION

INTEGRAL ART PROJECT

- Commission art for porcelain enamel panels
- fabricated and installed by the contractor
- Artist works with the design team and contractor
- Selection committee may choose a single artist or multiple artists
- Total art enrichment budget: 0.5% of station cost (\$14,000,000)
- Up to four artists will be selected
- Each of four artists would receive a stipend of up to \$17,500

MBTA INTEGRAL ART PROGRAM/POLICY

MBTA identifies opportunities for integral art that leverages the value of built elements.

Include *only* enhancements to elements required for the construction of the facility.

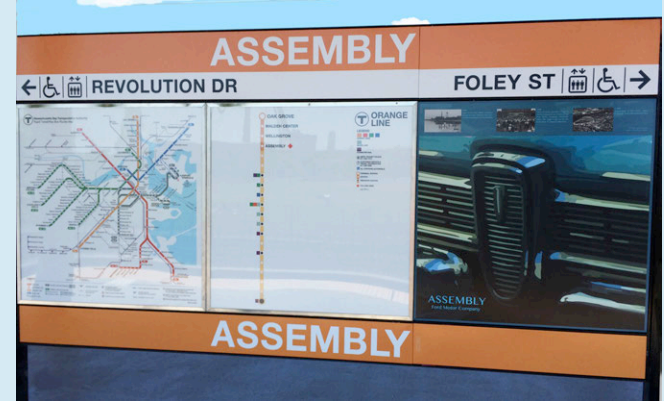
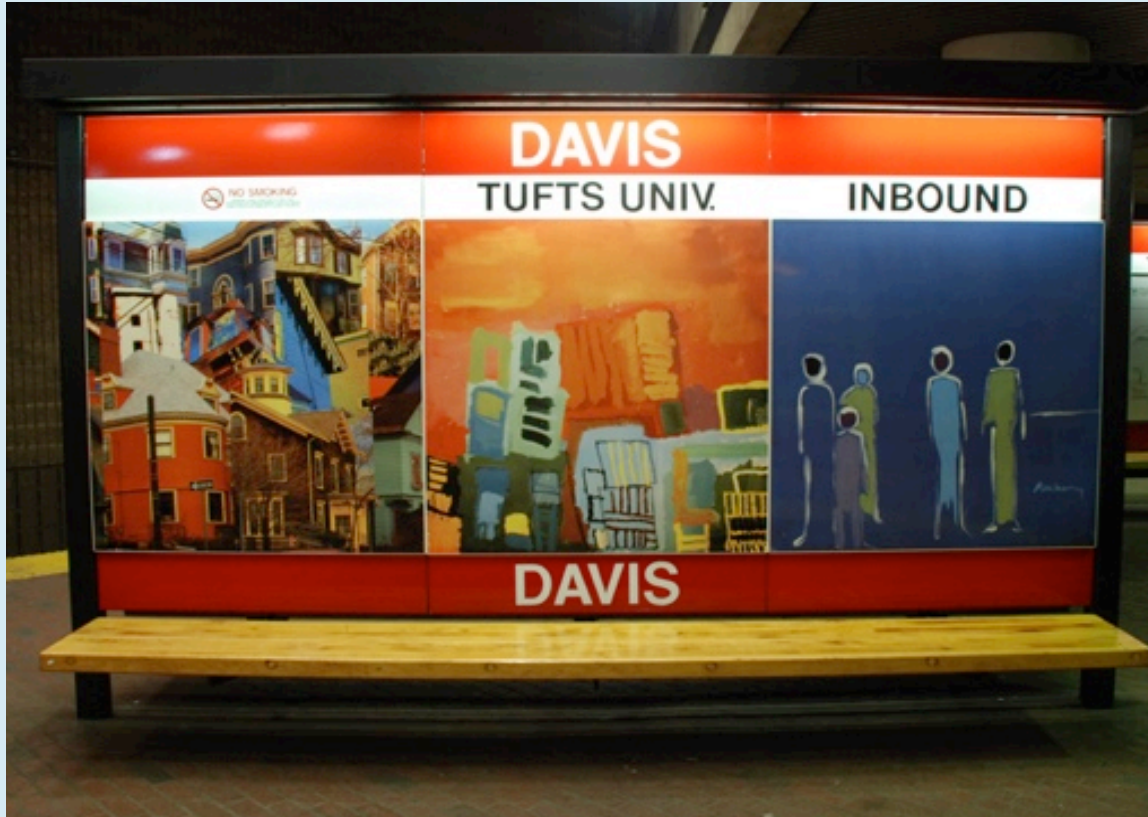
Artists will use the materials of the system, such as porcelain enamel, ceramic tile, bronze, steel, glass and concrete.

Designs will meet the same quality, craftsmanship and maintenance standards as the underlying element. Safety, accessibility, durability and maintenance requirements are the same as required elements.

Impact on the public will be optimized, and the product must enhance a positive and welcoming environment to the public.

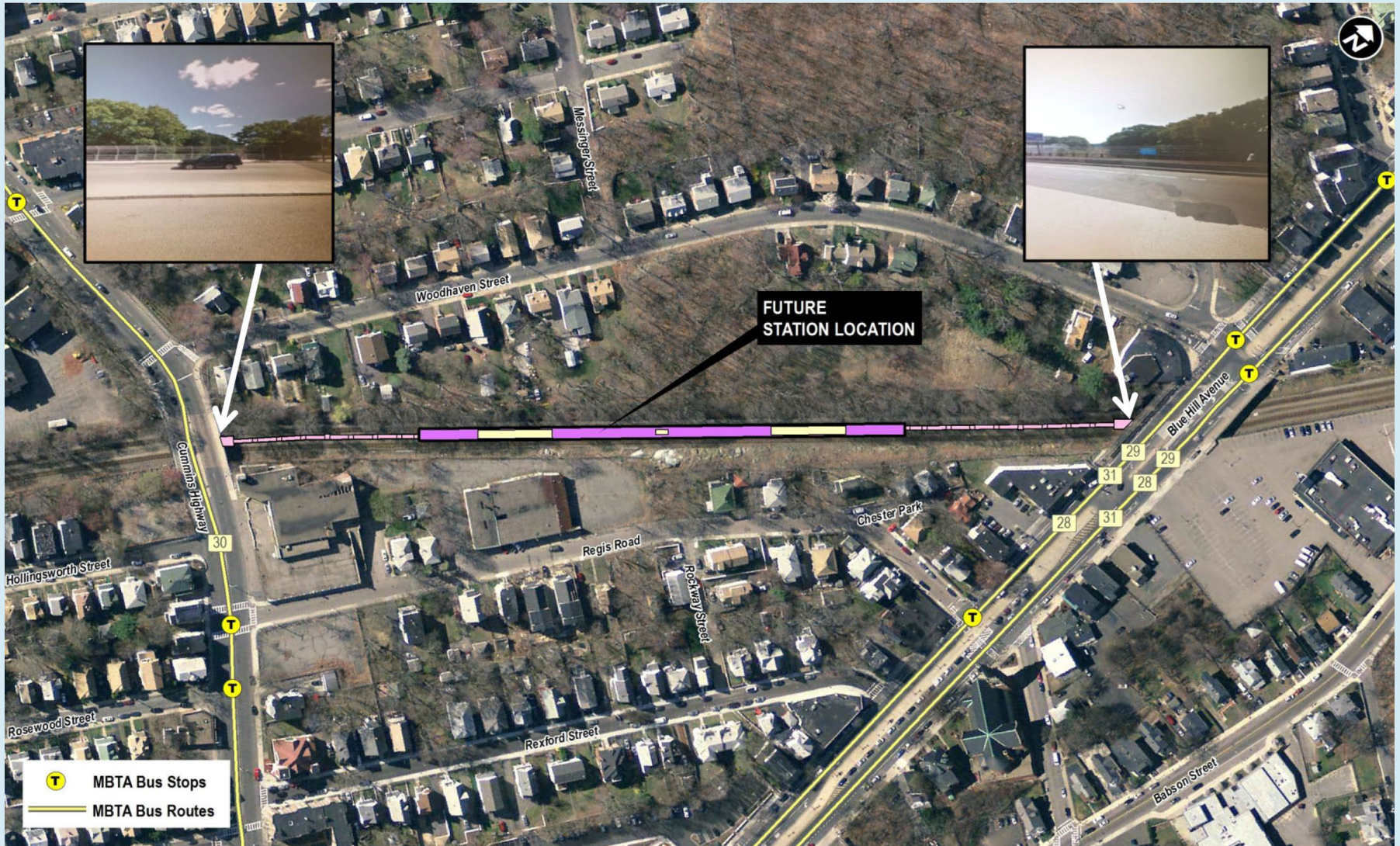
INTEGRATED ART

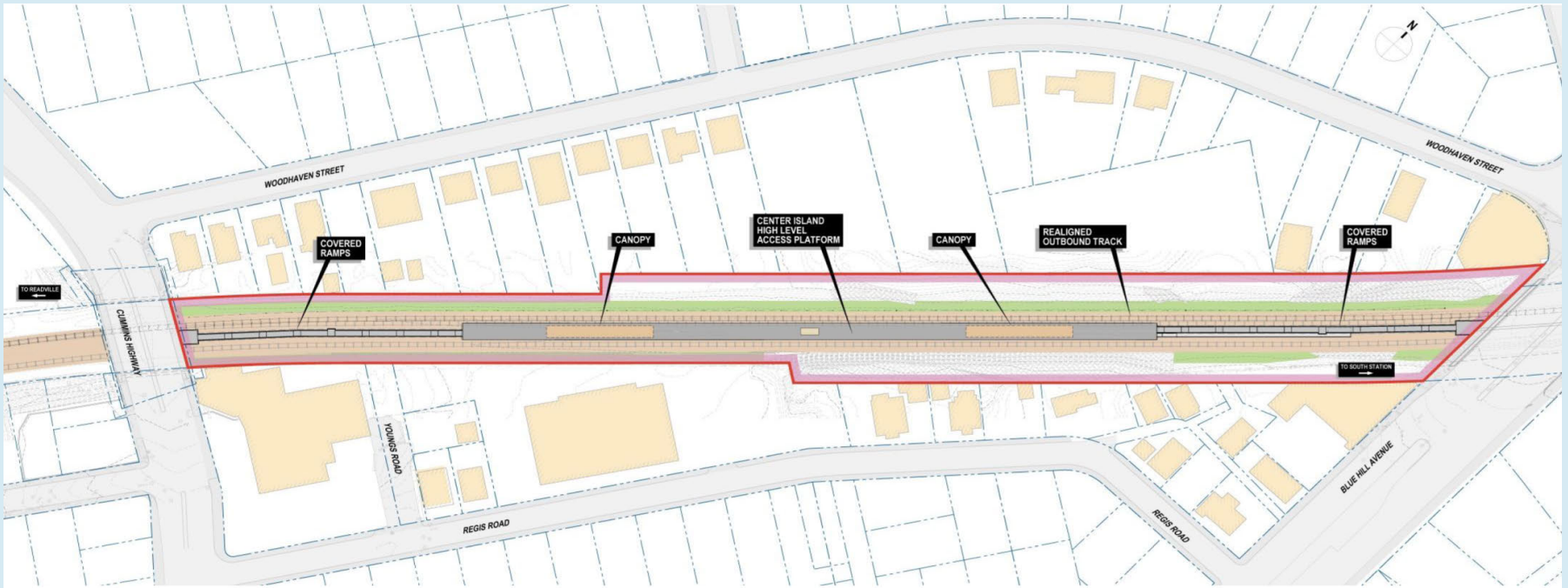
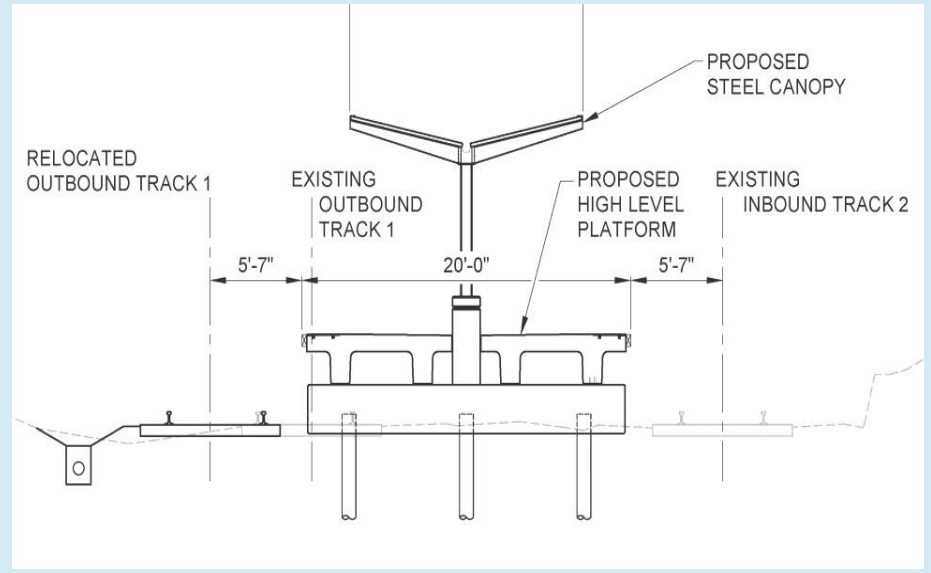
OPPORTUNITIES FOR PORCELAIN ENAMEL PANELS



Cummins Highway Entrance

Blue Hill Avenue Entrance





CURRENT PROCUREMENT SCHEDULE

| | |
|-----------------------------------|---------------------------------------|
| Friday July 10th, 2015 | RFQ release date |
| Thursday, July 23rd, 2015, 6-7 PM | Information session |
| Friday, July 31st, 2015 | Due date for questions on RFQ |
| Monday, August 17th, 11:59 PM | Application deadline |
| September, 2015 | Application review/finalists notified |
| September - October 2015 | Community dialogues/forums |
| October 2015 | Artists selection finalized |
| TBD | Selected artists are notified |
| November – March 2016 | Artist engagement & design process |
| TBD | Execution and installation |

Q&A